

Fraction of an Amount

1a. Find the value of the shaded part.



600



248



VF

2a. Match each calculation to the correct answer.

$$\frac{3}{7} \text{ of } 56$$

77

$$\frac{7}{8} \text{ of } 88$$

51

$$\frac{2}{3} \text{ of } 243$$

24

$$\frac{1}{9} \text{ of } 459$$

162



VF

3a. Complete each statement using $<$, $>$ or $=$.

$$\frac{3}{5} \text{ of } 200$$

$$\frac{5}{9} \text{ of } 198$$

$$\frac{7}{10} \text{ of } 600$$

$$\frac{1}{2} \text{ of } 840$$



VF

4a. Complete the following statements.

$$\frac{8}{11} \text{ of } 121 =$$

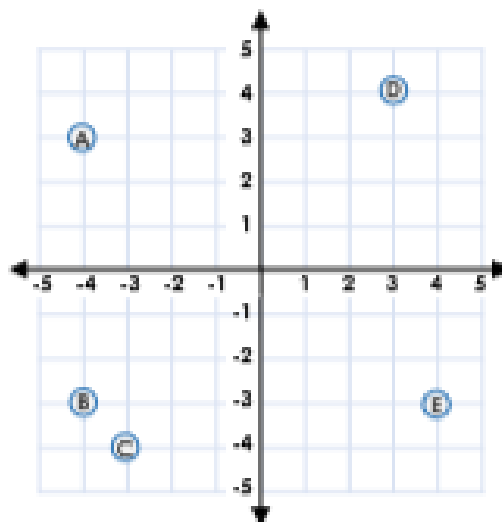
$$\frac{3}{5} \text{ of } 180 =$$



VF

Four Quadrants

1a. Match the coordinates with the points on the grid.



(4, -3)

(-4, 3)

(3, 4)

(3, -4)

(-4, -3)

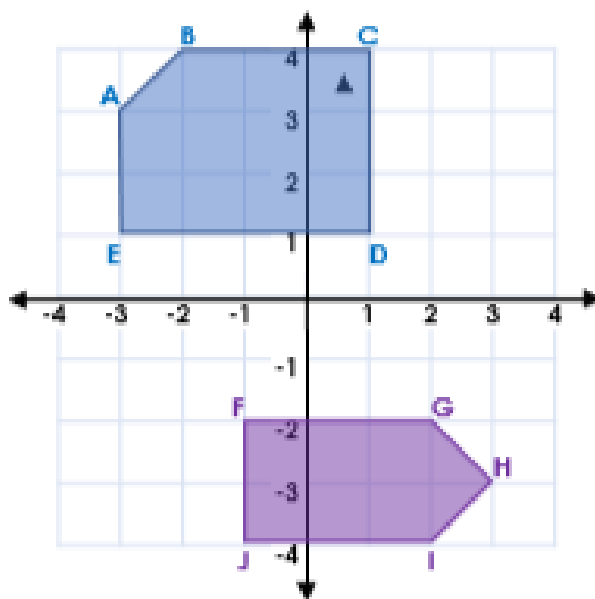
(-3, 4)

(-3, -4)



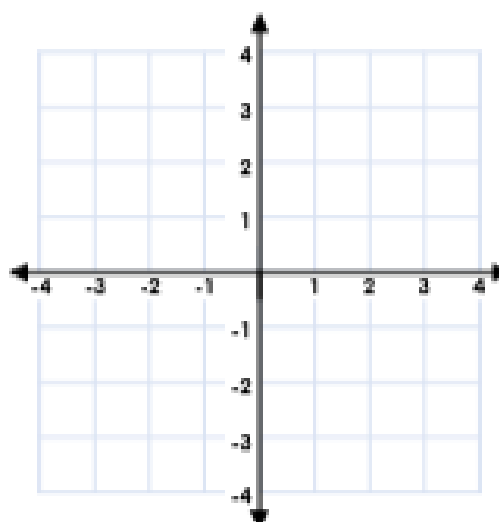
VF

2a. Write the coordinates of each shape.



VF

3a. Plot the coordinates to draw the shapes. What shapes have you drawn?



(-1, -1)

(-3, -2)

(-2, -4)

(0, -4)

(1, -2)

(-1, 3)

(-1, 1)

(1, 1)

(1, -1)

(3, -1)

(3, 3)



Fractions to Decimals 1

1b. Cian and Hannah are comparing fractions.



Cian

I think that 0.2 is greater.

I think that $\frac{2}{100}$ is greater.



Hannah

Who is correct. Explain how you know



R

2b. Convert the fractions into decimals and write them in descending order.



B $\frac{40}{100}$

C $\frac{5}{100}$



P5

3b. I am thinking of a fraction.

- It can be simplified.
- The denominator is 100.
- The numerator is a multiple 6.
- The numerator is between 40 and 56.

What is my fraction?

What is this fraction as a decimal?



P5

Find Pairs of Values 2

1a. Which pair of values does not satisfy the equation?

$$a \div b = 3$$

$$\begin{matrix} a = 18 \\ b = 6 \end{matrix}$$

$$\begin{matrix} a = 12 \\ b = 4 \end{matrix}$$

$$\begin{matrix} a = 16 \\ b = 4 \end{matrix}$$



VF

2a. Use the numbers in the table to find all the possible combinations for the two variables below.

$$a - b = 5$$

12	14	3	7
15	19	10	8



VF

3a. Work out the values of b and c .

$$a = 8$$

$$a + b = 17$$

$$c + b = 13$$

$$b = \square \quad c = \square$$



VF

4a. List three possible values for a and b , where $c = 18$.

$$2a + b = c$$



VF

Fractions to Decimals 1

1a. Use the digit cards to complete the statements.

$\frac{40}{100}$ is equivalent to 0 .

$\frac{7}{10}$ is equivalent to 0 .



VF

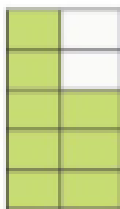
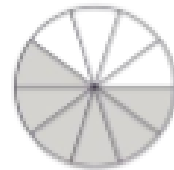
2a. True or false?

0.5 is equivalent to $\frac{50}{100}$.



VF

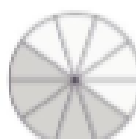
3a. Convert the fractions below to decimals.


A  B C 

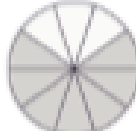


VF

4a. Match the decimals to the equivalent image.

A 

B 

C 



VF

Rounding Numbers

1a. Which two numbers will round to the same value when rounded to the nearest 1,000,000?

Millions	Hundred thousands	Ten thousands	Thousands	Hundreds	Tens	Ones
●●	●●●●	●●●●	●●	●●●●	●	●●

b c



VF

2a. Which numbers round to 3,000,000 when rounding to the nearest 1,000,000?



VF

3a. Tick to show whether the number rounds to 4,000,000 or 5,000,000 to the nearest 1,000,000.

Number	Rounds to 4,000,000	Rounds to 5,000,000
4,144,831		
4,531,258		
4,776,012		



VF

4a. Round the number below to the nearest 1,000,000.



VF